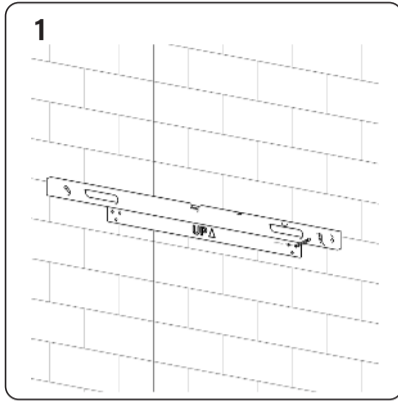


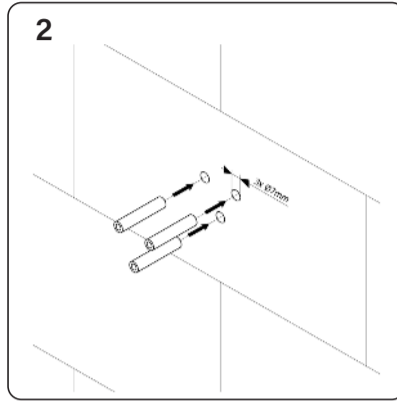


## VARA Single Towel Rail



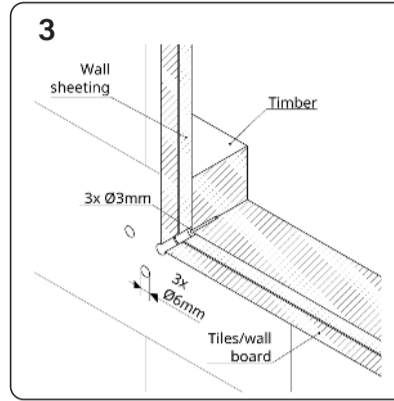
1 Mark location

Choose a suitable location for your bathroom accessories and place the supplied drilling template on the wall with the UP mark in correct position. Use a spirit level to make sure it is horizontal. Trace the 6 mount holes through the plate onto the wall with a pencil.



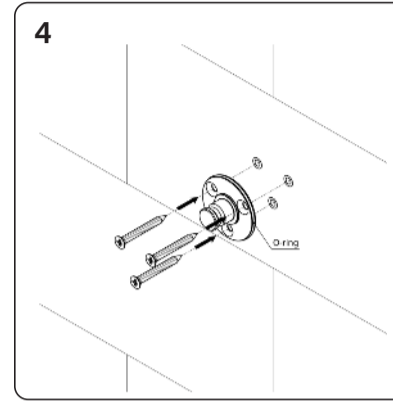
2 Masonry install

For masonry installation, drill 7mm holes where marked and insert the plastic wall plugs.



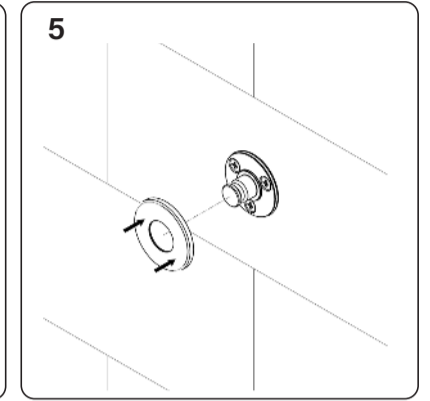
3 Timber wall install

For timber wall construction, drill 6mm holes through the tiles/wall board only and drill 3mm pilot holes into the timber.



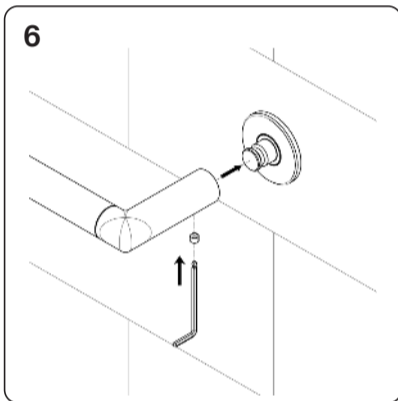
4 Install mount brackets

Install the mount brackets with the screws provided. Make sure the O-ring is correctly placed on the brackets.



5 Install flange

Moisten the O-ring, and push the decorative flanges over the mount brackets, twisting slightly while doing so.



6 Install product

Place the bathroom accessory into position over the spigots. Insert the grub screw into the underside of the accessory and fasten in place with the Allen key provided. If there are any issues please contact Faucet Strommen before leaving the site.

### Cleaning

Clean only with a soft microfiber or similar cloth and warm clean water. Ensure that the cloth is clean and free of any grit or chemical. Dry fitting off with a soft clean cloth. Ensure that your fitting is not subject to any chemicals, building grit or any type of abrasive or polish. For care of special finishes please visit our website.