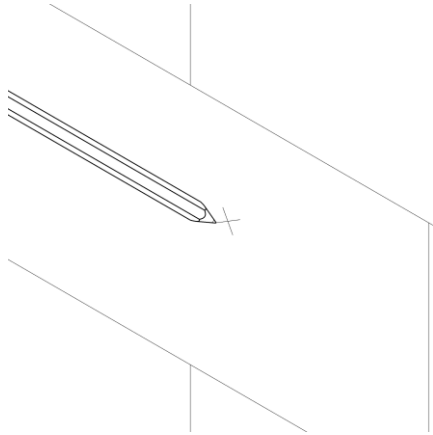


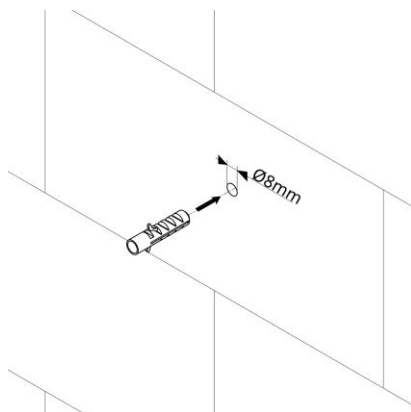
36120

Step 1: Mark location



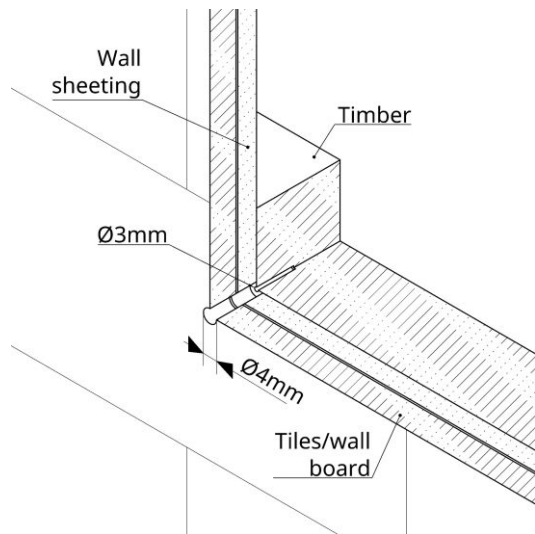
Choose a suitable location for your hook and mark the centre line position with a pencil.

Step 2: Masonry install



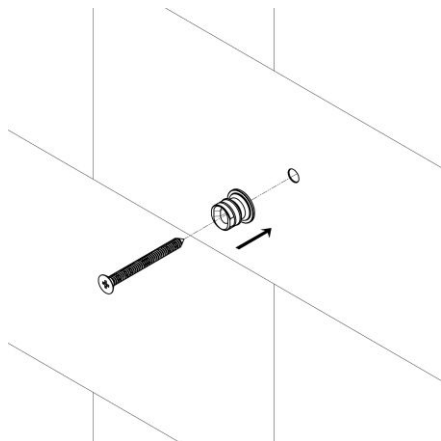
For masonry installation, drill a 8mm hole where marked and insert the plastic wall plug.

Step 3: Timber wall install



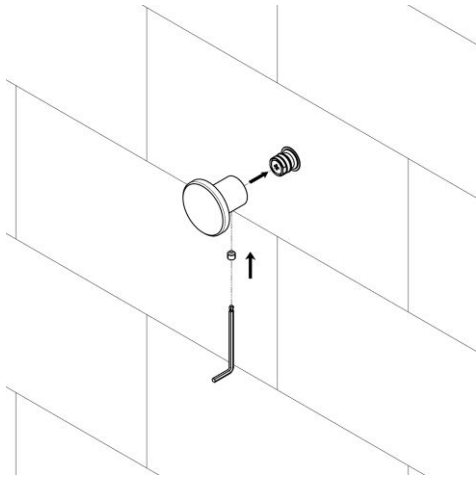
For timber wall construction, drill a 6mm hole through the tiles/wall board only and drill a 4mm pilot hole into the timber.

Step 4: Install mount spigot



Screw mount spigot onto wall with the supplied stainless steel screw. To reduce likelihood of the fitting rotating, a small amount of suitable glue can be applied to the back of the spigot. Note that the bracket has an oval hole to allow for fine alignment.

Step 5: Install product



Place the accessory into position over the spigot. Insert the grub screw into the underside of the fitting and fasten in place with the Allen key provided. If there are any issues please contact Faucet Strommen before leaving the site.