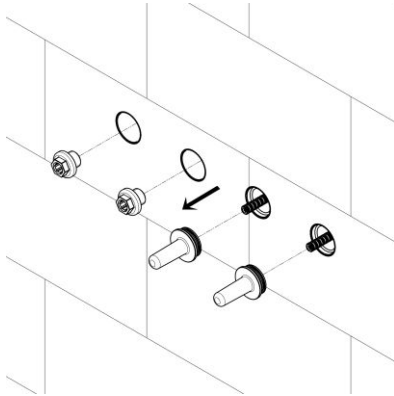


## 36096 / 33561

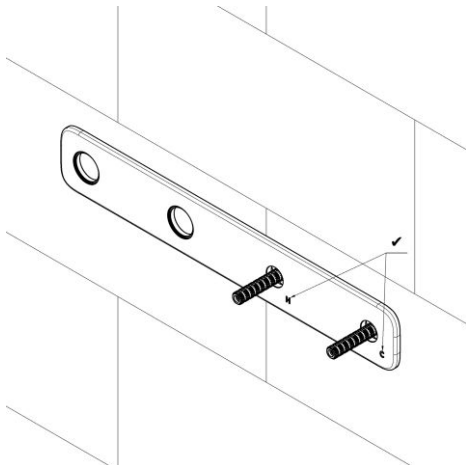
*Note: Fit off is done after tiling and grouting are complete.*

### Step 1: Prepare for fit-off



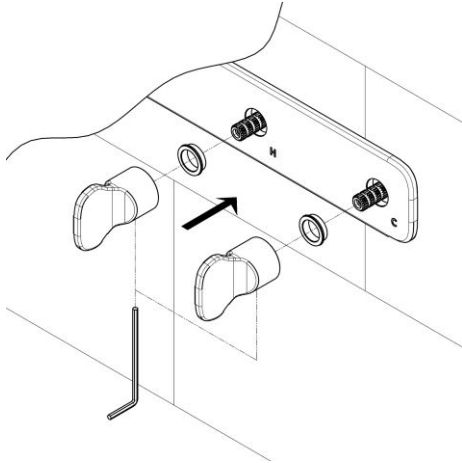
Ensure that the area around the tap is clean and free from grout lumps, tile glue or sealant. Remove the 2x plugs from the outlet connection and fixing point, using either a 14mm socket spanner OR an 8mm Allen key. Remove the 2x protector caps. Ensure that there is no tile glue or deposit inside the access holes. Clean if needed.

### Step 2: Position wall flange



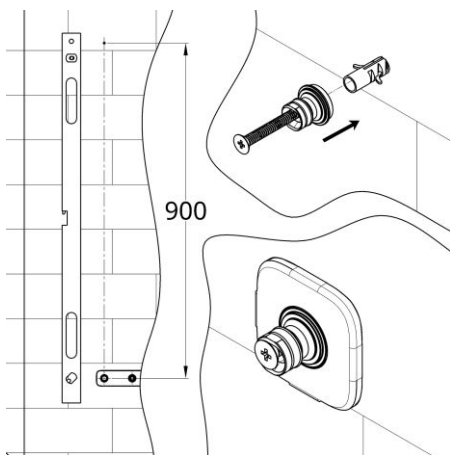
Unwrap the cover plate, and position it on the wall - ensure the marking on the plate is orientated correctly per the image. Check that the cover plate sits flat against the wall - remove any debris or protrusions on the wall surface if needed.

### Step 3: Install the handles



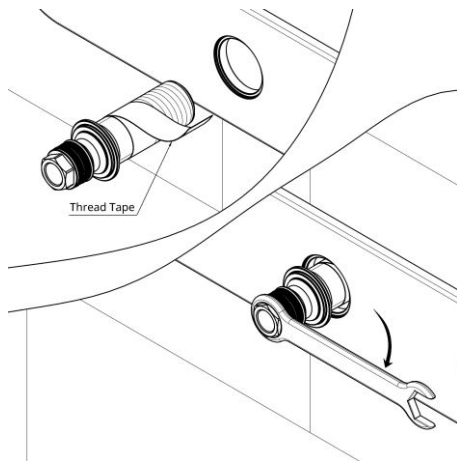
Install the plastic bushes into the cover plate holes. Ensure the spindles are rotated clockwise (closed), then slide the handles onto the splined spindles with the grub screw hole underneath so the spindle engages correctly. Align the wall plate so the bottom of each handle locates in the cover plate holes, capturing the plastic bush. Press the handle firmly against the cover plate and tighten the grub screw with the supplied 2 mm Allen key.

### Step 4: Install upper shower fixing & flange



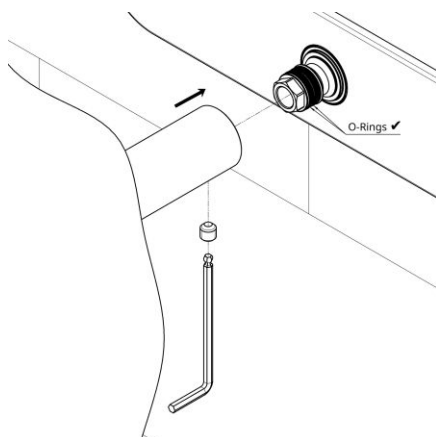
Mark the position for the top shower bracket fixing, 900mm above the centreline of the left side hole in the flange. Use a level to ensure straightness. Drill an 8mm hole through the tiles, and an appropriate size hole into the wall depending on the fixing method required. Place the flange against the wall and fix the bracket to the wall using the screw provided (or alternatively other suitable stainless steel fixings). Note that the bracket has an oval hole to allow for fine alignment.

#### Step 5: Install the connection spigot



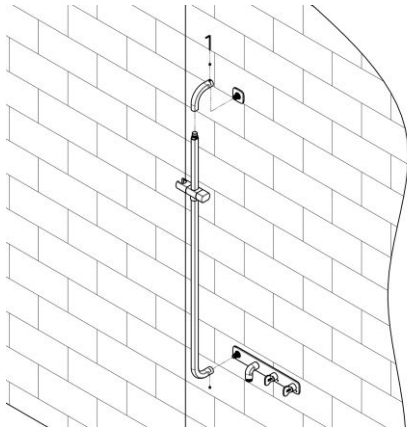
Apply thread tape or approved sealant to the threaded spigot, insert it through the plate into the in-wall breach, and start threading by hand. Tighten with a 10 mm socket until the plate is held against the finished wall surface—DO NOT OVERTIGHTEN or damage the O-rings. Check the handles turn smoothly and adjust their position if required.

#### Step 6: Install shower elbow



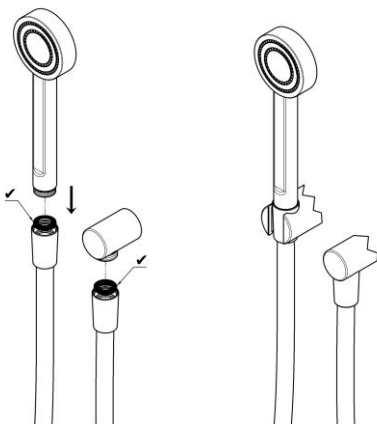
Unwrap the elbow assembly and check the spigot's two O-rings for damage. Moisten the O-rings and gently push the elbow onto the spigot, rotating slightly. Ensure it sits flush against the flange, insert the grub screw underneath with the supplied 2.5 mm Allen key, straighten the elbow, and tighten the screw firmly to lock it in place.

#### Step 7: Install slide shower assembly



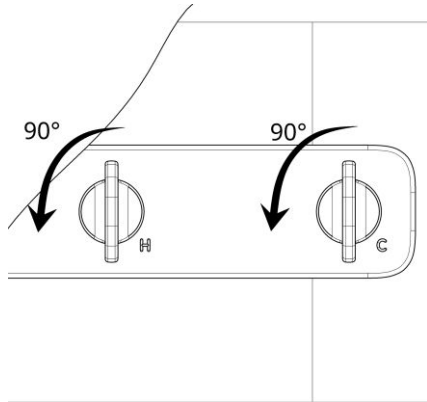
Obtain assistance for this step. Slide the rail assembly onto the bottom spigot and top fixing, ensuring it is supported. If the spacing is not exactly right, loosen the top fixing screw and adjust the spacing - see Step 4). Hold the brackets firmly against the lower and upper flanges while another person inserts and tightens the top and bottom grub screws using the supplied 2.5 mm Allen key.

#### Step 8: Install hand shower & hose



Unwrap the hand shower assembly and hose. Ensure rubber washers are correctly placed inside the tapered nuts at each end. Tighten one nut firmly onto the hand shower thread and the other onto the thread on the underside of the lower bracket. Place the hand shower into the holder as shown.

#### Step 9: Test operation



Rotate hot and cold handles, ensuring smooth operation and proper water flow through the hand shower outlet. If there are any issues please contact Faucet Strommen before leaving the site.