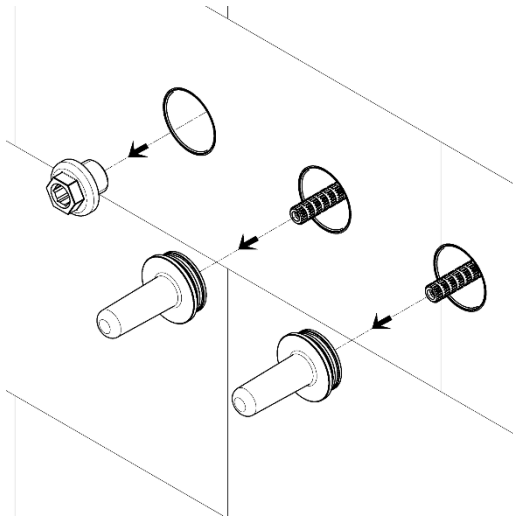


## 33550/33551/33552/33553/33554/33555

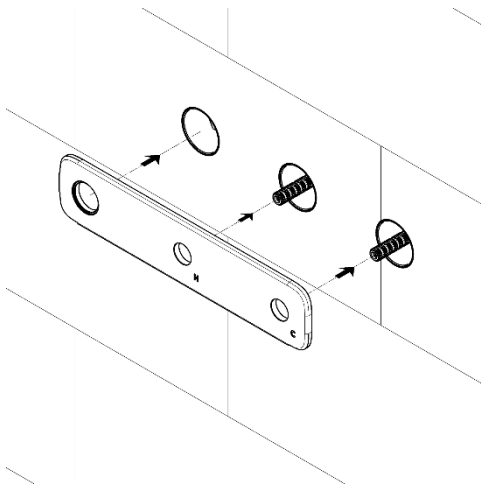
*Note: Fit off is done after tiling and grouting are complete.*

### Step 1: Prepare for fit-off



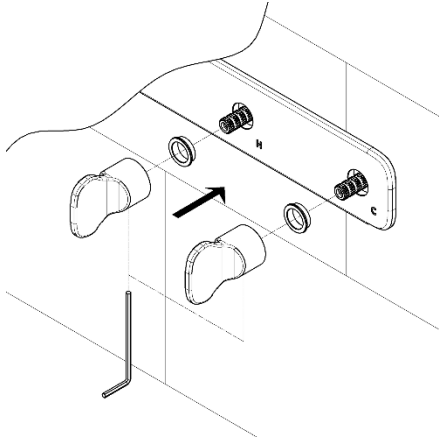
Ensure that the area around the tap is clean and free from grout lumps, tile glue or sealant. Check that steps 6), 7) and 8) have been completed. Remove the plug from the outlet connection point, using either a 14mm socket spanner OR an 8mm Allen key. Remove the 2x protector caps. Ensure that there is no tile glue or deposit inside the access holes. Clean if needed.

### Step 2: Position wall flange



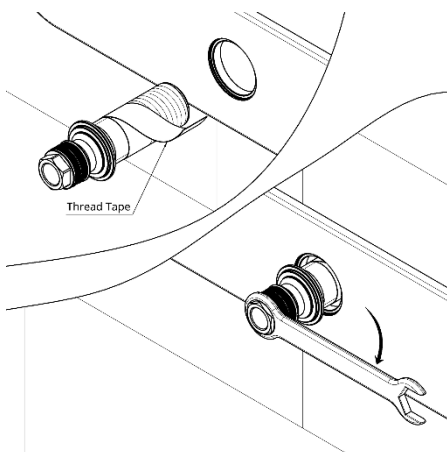
Unwrap the cover plate, and position it on the wall - ensure the marking on the plate is orientated correctly per the image. Check that the cover plate sits flat against the wall - remove any debris or protrusions on the wall surface if needed.

### Step 3: Install the handles



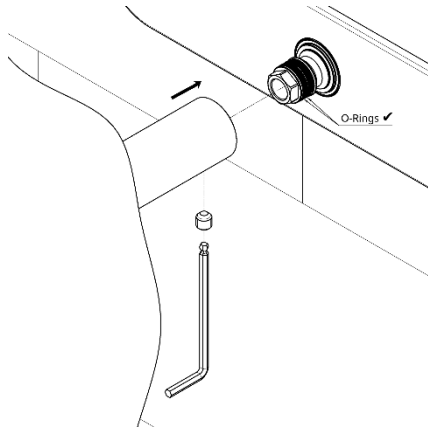
Install the plastic bushes into the cover plate holes. Ensure the spindles are rotated clockwise (closed), then slide the handles onto the splined spindles with the grub screw hole underneath so the spindle engages correctly. Align the wall plate so the bottom of each handle locates in the cover plate holes, capturing the plastic bush. Press the handle firmly against the cover plate and tighten the grub screw with the supplied 2 mm Allen key.

### Step 4: Install the connection spigot



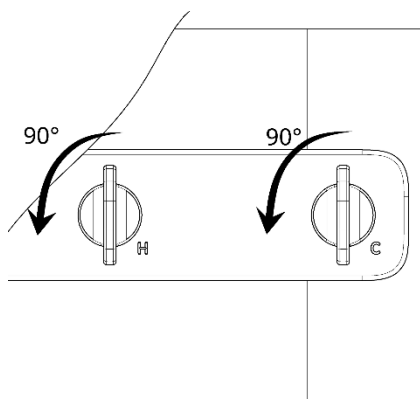
Apply thread tape or approved sealant to the threaded spigot, insert it through the plate into the in-wall breach, and start threading by hand. Tighten with a 10 mm socket until the plate is held against the finished wall surface—DO NOT OVERTIGHTEN or damage the O-rings. Check the handles turn smoothly and adjust their position if required.

#### Step 5: Install spout



Unwrap the spout assembly and check the spigot's two O-rings for damage. Moisten the O-rings and gently push the spout onto the spigot, rotating slightly. Ensure it sits flush against the flange, insert the grub screw underneath with the supplied 2.5 mm Allen key, straighten the spout, and tighten the screw firmly to lock it in place.

#### Step 6: Test operation



Rotate each handle one at a time, ensuring smooth operation and proper water flow through the outlet. If there are any issues please contact Faucet Strommen before leaving the site.