

# Installation Guide

## Cabinet T Bar - Minimalist

### Suits Models:

36050 36051 36052 36053 36054

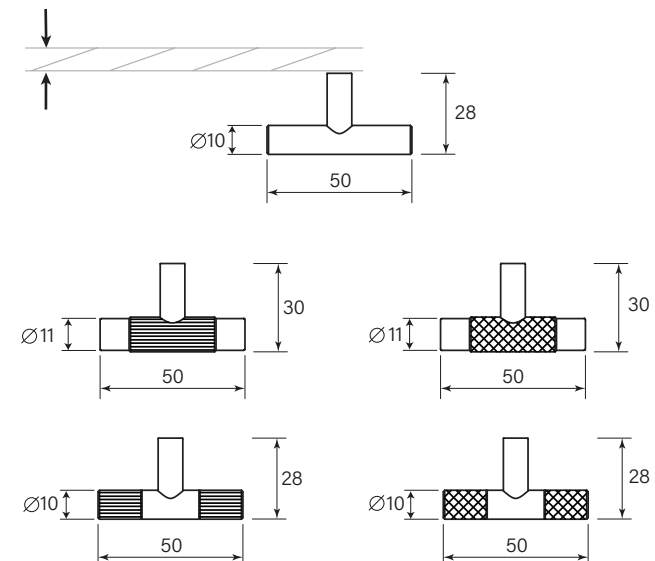
### Important requirements:

This product is designed to be installed onto cabinet door and drawer fronts. 40mm screws have been supplied for regular front thicknesses, refer drawing below for details.

### Cleaning

Clean only with a soft microfiber or similar cloth and warm clean water. Ensure that the cloth is clean and free of any grit or chemical. Dry fitting off with a soft clean cloth. Ensure that your fitting is not subject to any chemicals, building grit or any type of abrasive or polish. For care of special finishes please visit our website.

### Front Thickness 15 ~ 23



## Installation

- 1. Measure and Mark:** Determine the ideal placement for the T Bar on your door or drawer. Use a measuring tape to find the center points of the fixing point, then mark a cross with a pencil. Hold the T Bar against the door or drawer front to confirm positions.
- 2. Pre-Drill Holes:** Use 6.5 mm drill bit to pre-drill holes at the marked locations.
- 3. Attach T Bar:** Place the T Bar against the door or drawer front again and ensure that the holes are aligned. Position the locking washer over the hollow bolt, then slide the assembly through the hole in the door or drawer front and into the back of the T Bar. (The external square on the hollow bolt should engage with the internal square in the T Bar.) Insert the screw through the hollow bolt and thread it into the back of the T Bar. Check the alignment, then tighten it firmly using a 2 mm Allen Key.

