

# Installation Guide

## Cabinet Appliance Pull

### Suits Models:

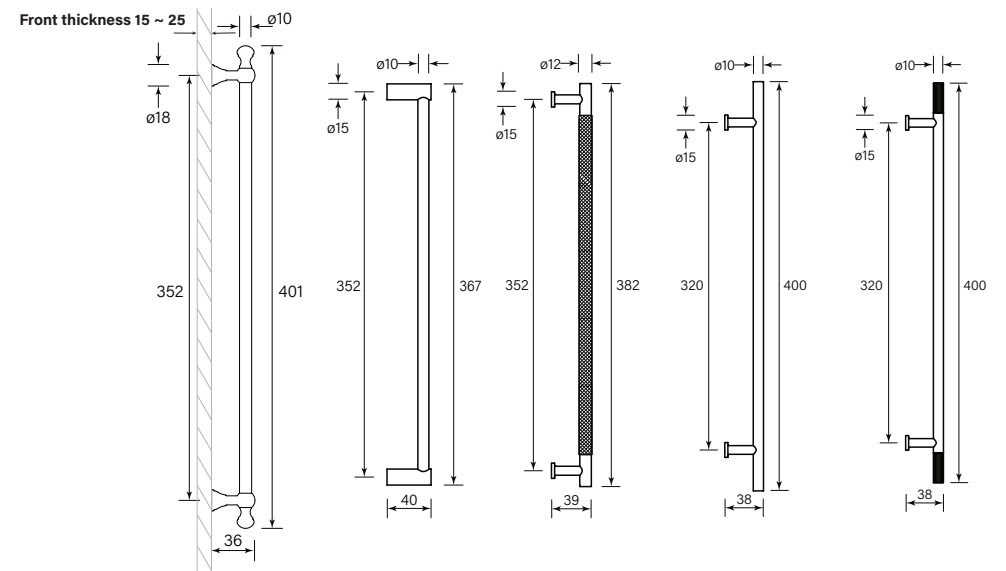
36070 36071 36072 36073 36074 36075 36076

### Important requirements:

This product is designed to be installed onto cabinet door and drawer fronts. Depending on the model 30mm or 35 mm screws have been supplied for regular front thicknesses, refer drawing below for details.

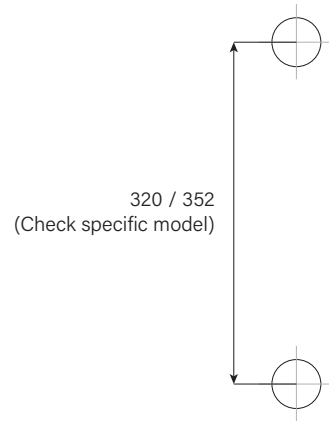
### Cleaning

Clean only with a soft microfiber or similar cloth and warm clean water. Ensure that the cloth is clean and free of any grit or chemical. Dry fitting off with a soft clean cloth. Ensure that your fitting is not subject to any chemicals, building grit or any type of abrasive or polish. For care of special finishes please visit our website.



## Installation

- 1. Measure and Mark:** Determine the ideal placement for the appliance pull on your door or drawer. Use a measuring tape to find the center points of the fixing points, then mark a cross with a pencil. Hold the cabinet pull against the door or drawer front to confirm positions.



- 2. Pre-Drill Holes:** Use 4.5 mm drill bit to pre-drill holes at the marked locations.
- 3. Attach Appliance Pull:** Place the appliance pull against the door or drawer front again and make sure the holes are aligned. Insert the screws through the holes and thread into back of the cabinet pull. Re-check alignment then tighten firmly using a 2 mm Allen Key.

